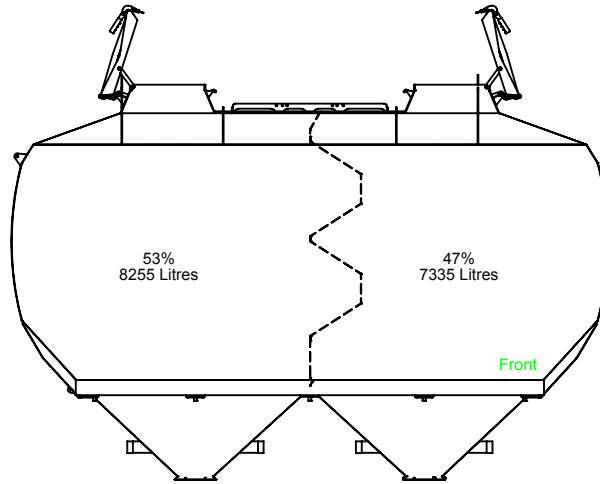
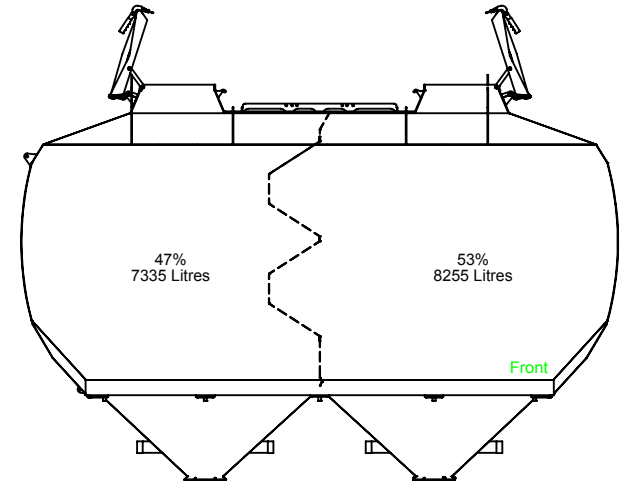


Split 1



Split 2



Split 3

16000 Double Bin

Total Useable Volume Given
a 25 Degree Angle of Repose is:
15590 Litres

Fabrication Note

Finish:

General Tolerances

Linear Dimensions
 X ±1mm (whole numbers)
 X.X ±0.5mm (one decimal place)
 X.XX ±0.25mm (two decimal places)
Angular Dimensions
 All Angles ±0.5°

This drawing is the property of
Simplicity (Australia) Pty. Ltd.
It must not be used for any
purpose other than that for
which it is supplied.
Reproduction in whole or
part is prohibited without
written authority from
Simplicity (Australia) Pty. Ltd.

DRN: BB
 DATE: 19/10/2015
 APPRD:
 DATE: / /
 SCALE: 1:50



SIMPLICITY (AUSTRALIA) PTY LTD	
18 LOUDOUN RD DALBY 4405 PH (07) 4660 6000 Engineering FAX (07) 4660 6050	
Simplicity Air Seeder Bin Splits 16000 Double Bin Splits	
DRAWING NUMBER 16000 Double Bin Splits	REV 00
SHEET 1 OF 1	A4